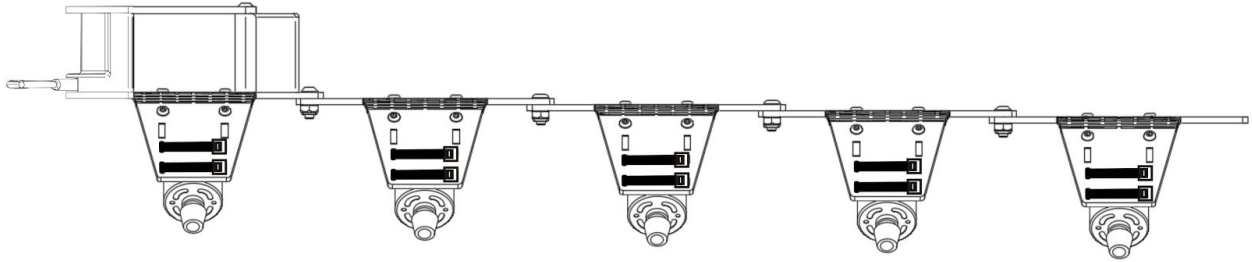
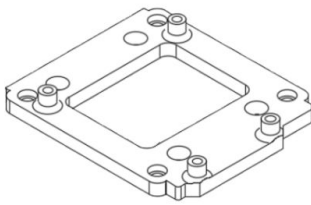


# Build Modules

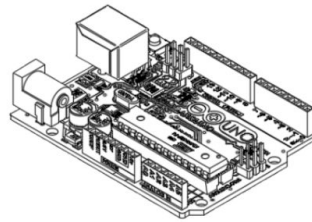
## Items required:



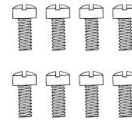
Make-A-Pede Chassis



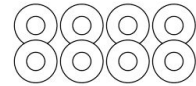
3d Printed Arduino  
Mounting Plate



Microcontroller



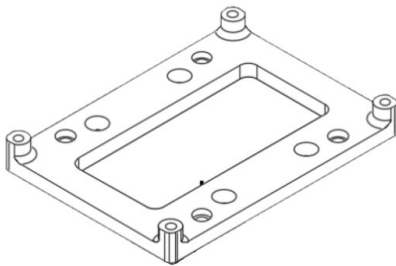
8 Small Fillister  
Head Screws  
& 8 Small nuts



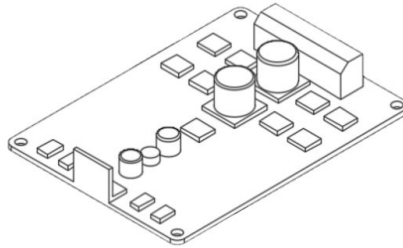
8 Small Washers



8 Small Self-Tapping  
Screws



3d Printed Motor Driver  
Mounting Plate

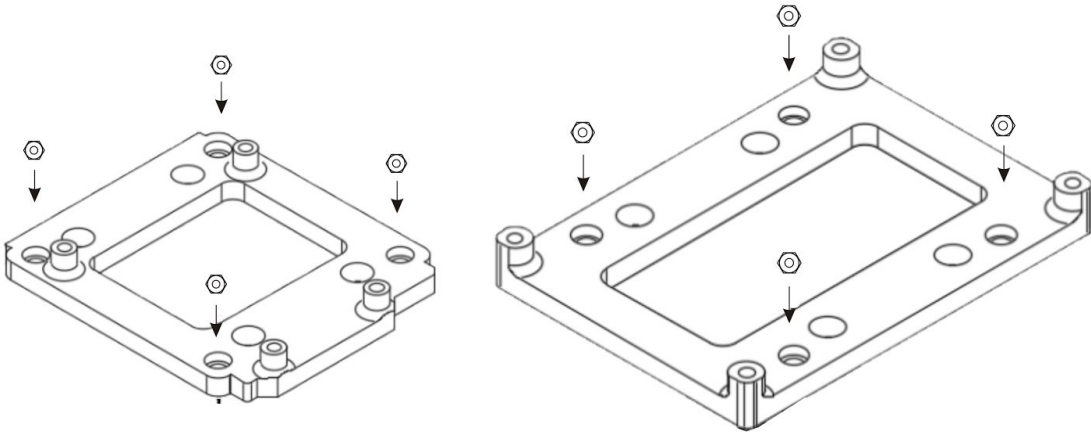


Motor Driver Board

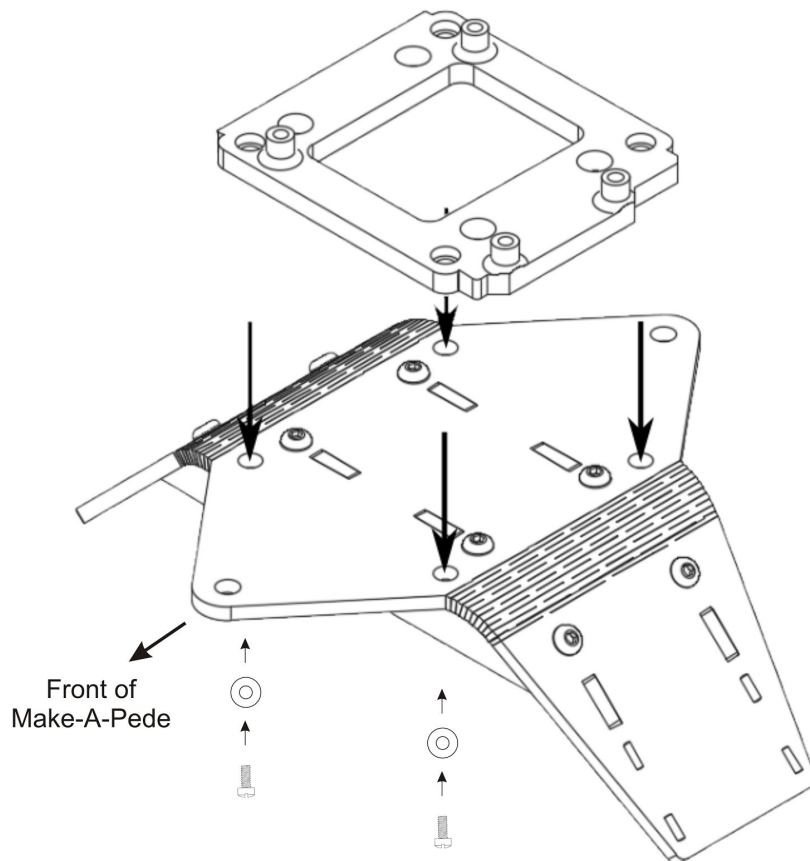


Small Phillips  
Head Screwdriver

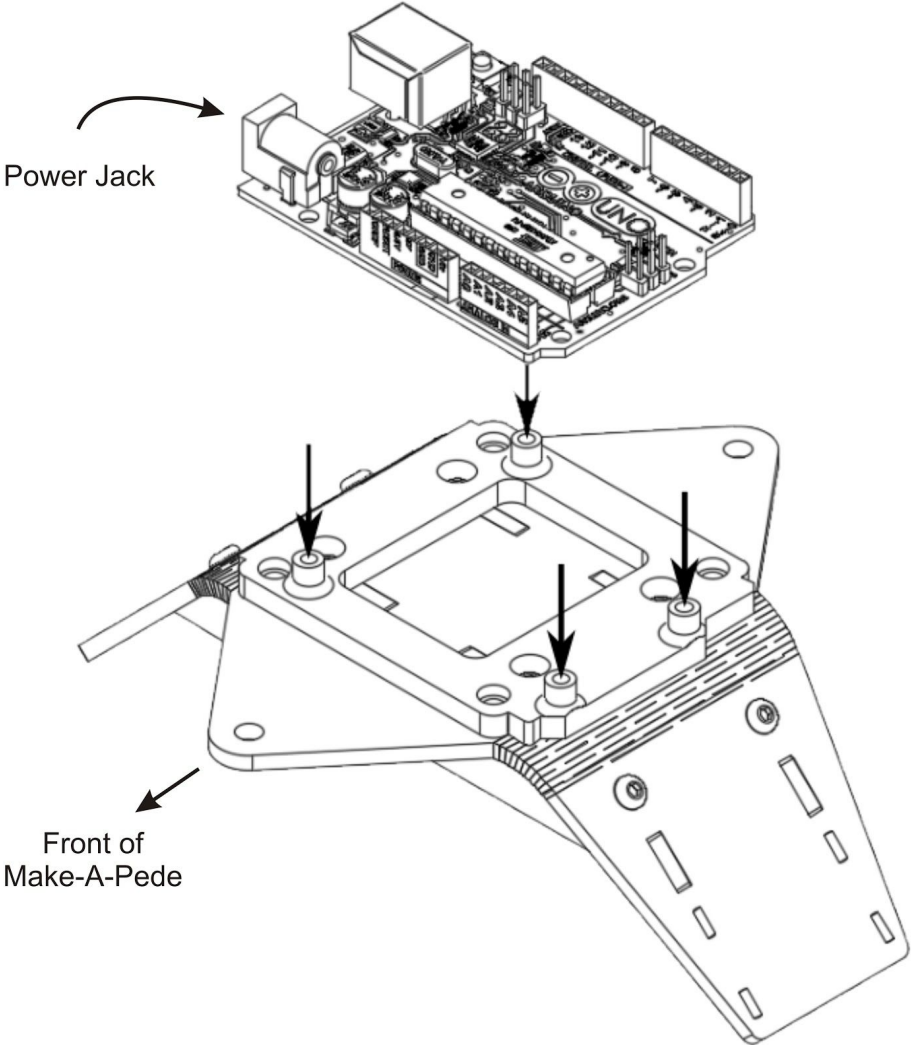
**Step 1:** If they are not already installed, insert the 8 small hex nuts into the hex shaped holes in the two mounting plates. They are made to fit very snugly. You may need to use a pliers to squeeze them fully in.



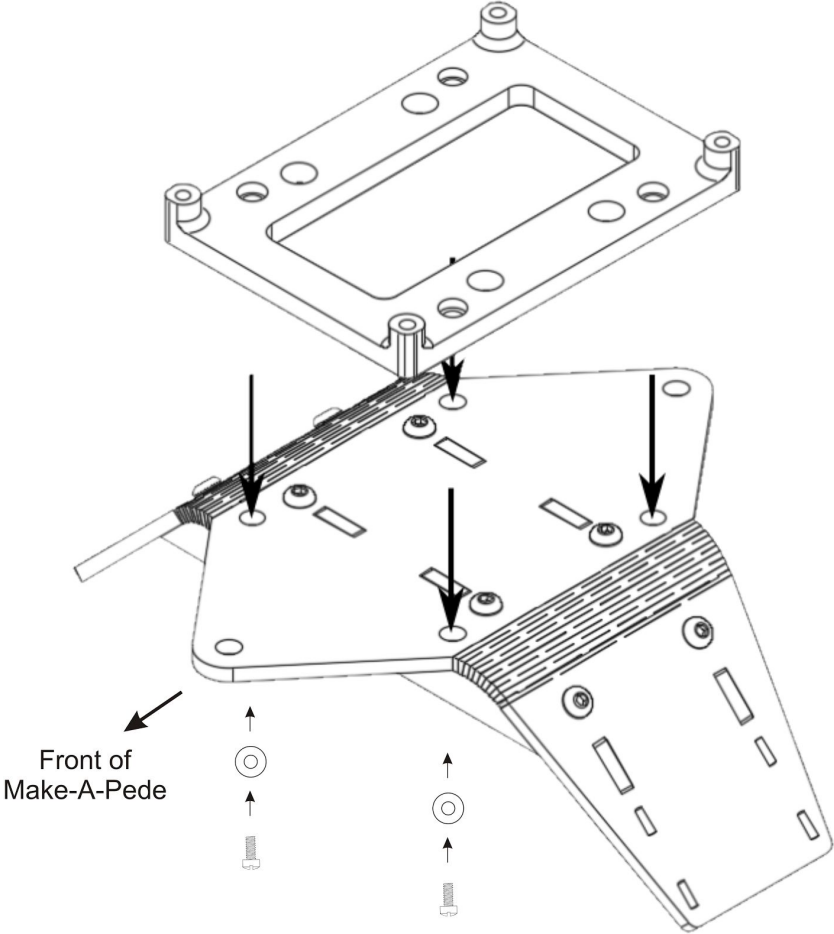
**Step 2:** Place the 3D printed microcontroller mounting plate on top of segment 2 of the Make-A-Pede chassis in the orientation shown below. Attach it to the segment using the small washers and fillister head screws run up from the bottom.



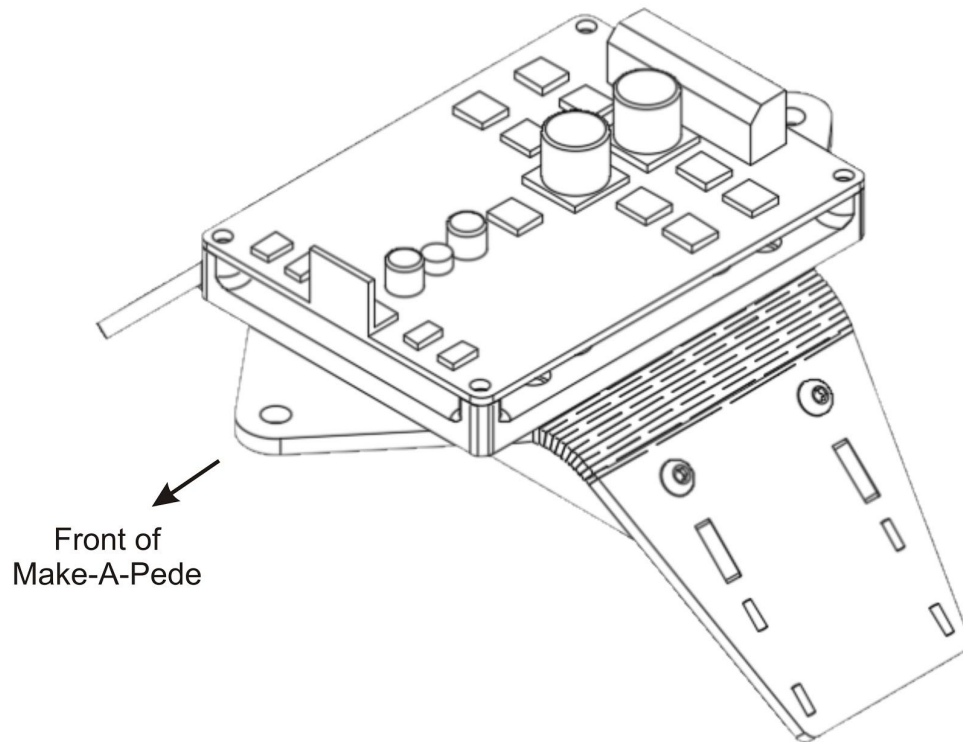
**Step 3:** Place the microcontroller on the mounting plate in the orientation shown below. Attach it to the mounting plate using the small self-tapping screws.



**Step 4:** Place the 3D printed motor driver mounting plate on top of segment 3 of the Make-A-Pede chassis in the orientation shown below. Attach it to the segment using the small washers and fillister head screws run up from the bottom.



**Step 5:** Place the motor driver board on the mounting plate in the orientation shown below. Attach it to the mounting plate using the small self-tapping screws.



**Step 6:** Feed the wires from the wiring harness that go to the motor control up the sides of the robot. Feed the left-side motor wire up to the left side and the right-side motors up to the right side (left and right are determined as if you were riding the Make-A-Pede).

